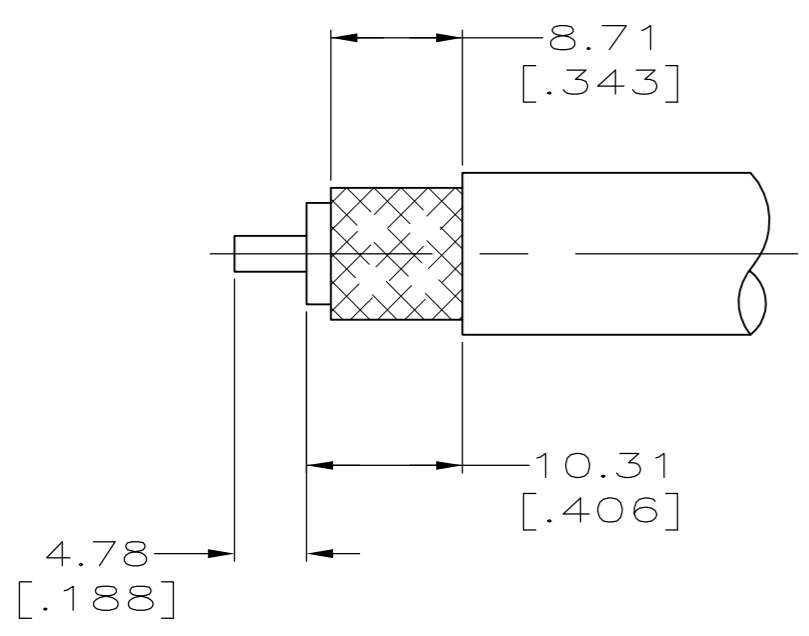


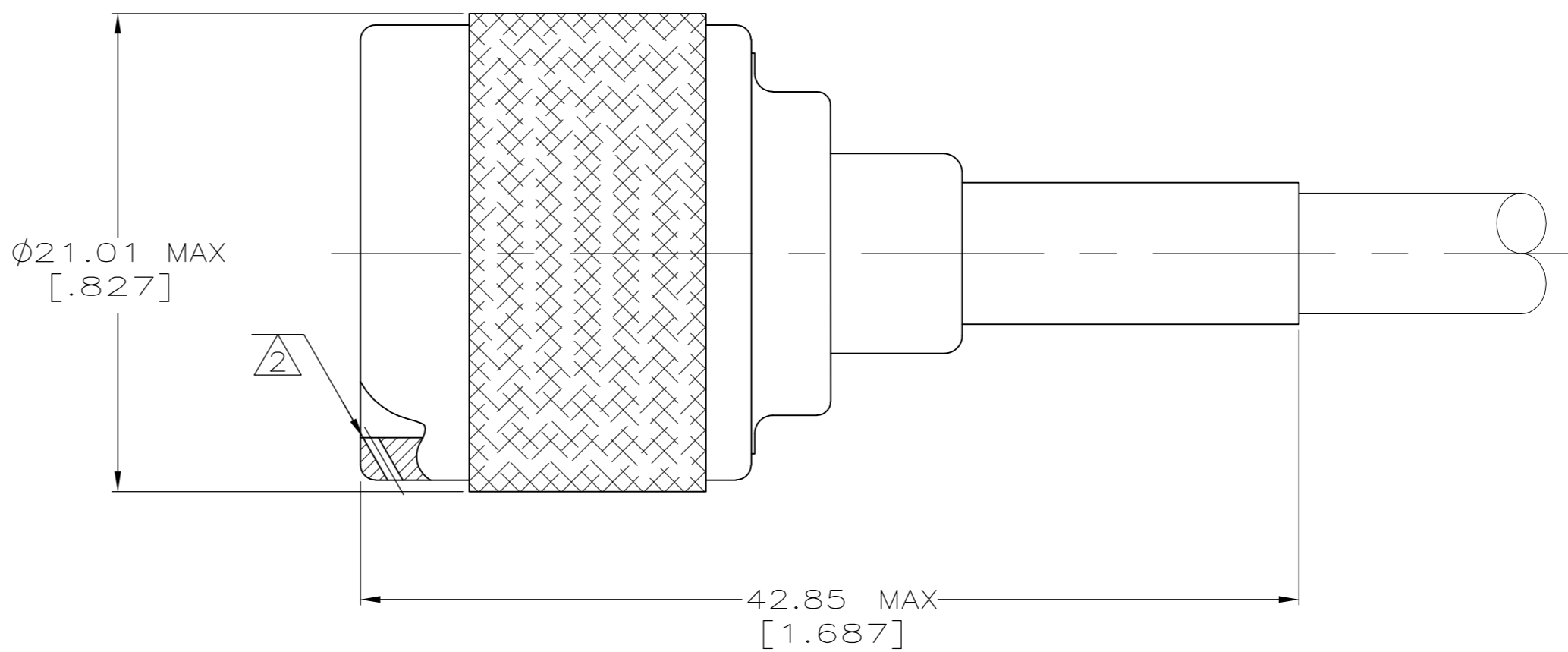
THIS DRAWING IS UNPUBLISHED. RELEASED FOR PUBLICATION
 © COPYRIGHT BY TYCO ELECTRONICS CORPORATION. ALL RIGHTS RESERVED.

LOC	DIST	REVISIONS					
		P	LTR	DESCRIPTION	DATE	DWN	APVD
AJ	16		A	REV PER ECO 06-002539	06APR06	GB	JH
			A1	REVISED PER ECO-09-024606	31OCT09	KK	AEG

1. PARTS PACKAGED UNASSEMBLED.
2. THREE SAFETY WIRE HOLES $\phi 0.61$ [.024] MIN, EQUALLY SPACED AROUND CIRCUMFERENCE.
3. CRIMP TOOL: 220045-2
4. SEE INSTRUCTION SHEET 408-2028-1
5. OBSOLETE PARTS: OBSOLETE CIS STREAMLINING PER D.RENAUD/D.SINISI



RECOMMENDED STRIP LENGTH
(SCALE 2:1)



CABLE SIZE	FERRULE QTY=1	CONTACT QTY=1	PLUG ASSY QTY=1	PART NUMBER

THIS DRAWING IS A CONTROLLED DOCUMENT.

DWN J. ALCORTA - DOCK5 22APR2005	22APR2005	Tyco Electronics Corporation Harrisburg, PA 17105-3608
CHK J. HAVENER 22APR2005		
APVD G. MICHAEL 22APR2005		
PRODUCT SPEC		
DIMENSIONS: mm [INCHES]		NAME - PLUG, SERIES N
TOLERANCES UNLESS OTHERWISE SPECIFIED: 0 PLC ± - 1 PLC ± - 2 PLC ± 0.41 [.016] 3 PLC ± - 4 PLC ± - ANGLES ± - FINISH -		APPLICATION SPEC - WEIGHT 1.2 OZ MAX CUSTOMER DRAWING
MATERIAL -		SIZE A2 CAGE CODE 00779 DRAWING NO C=5225361 RESTRICTED TO -
		SCALE 4:1 SHEET 1 of 1 REV A1